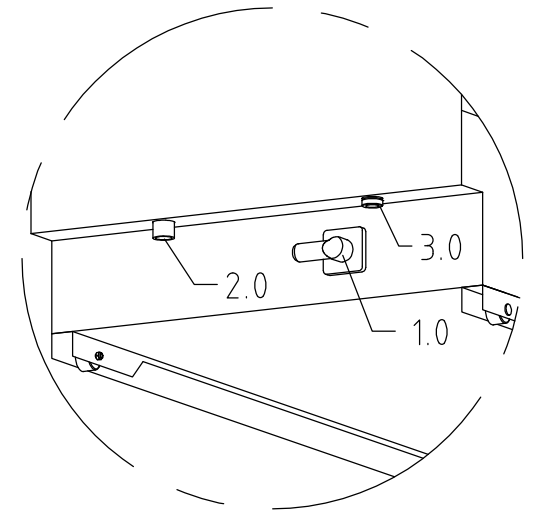
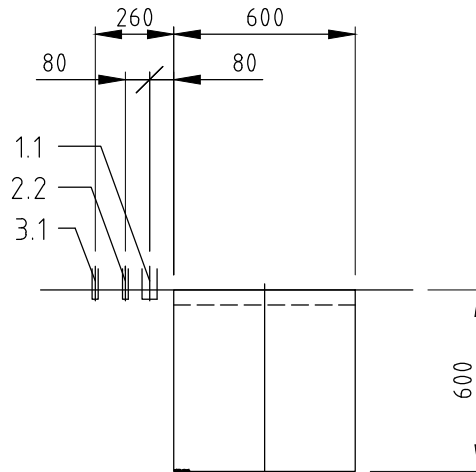
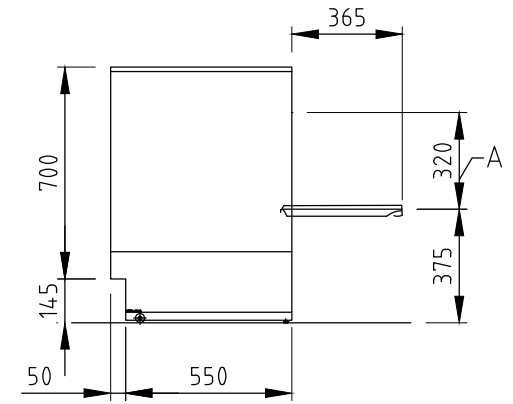
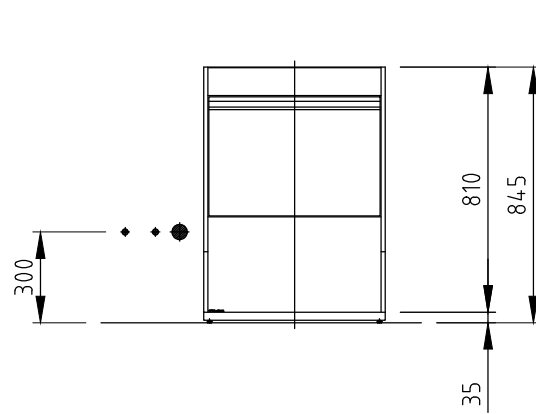



1.0	machine connection: Drain line hose fitted as odour trap in interior of machine	DN 22
1.1	drain (max. 700 mm above of the floor level)	DN 50
2.0	machine connection: fresh water line	G 3/4"
2.2	soft cold water 10°C max. 0,54 mmol/l CaCO ₃ / 53,4 ppm/CaCO ₃ (max.3°GH) approx. water flow rate 4 l/min min. flow pressure: 60 kPa / 0,6 bar upstream of the solenoid valve, maximum pressure: 500 kPa / 5 bar stopcock and fine screen ≤ 25 μm	DN 15
		G 3/4 a
3.0	machine connection: electricity connecting cable	3G 2,5 mm ²
3.1	electricity supply to the machine	1N PE 230V ~ 50Hz
	nominal current / - capacity	13.4 A 2.8 kW
	⚡ Voltage equalising cable	Fuse protection: 15 A
Electrical equipment suitable for supply voltage: 3N PE 380-415 V 50 Hz / 1N PE 220-240 V 50 Hz		
heat load of the wash room in case of 15 program cycles /h		total ca.1.6 kW perceptible ca.1.0 kW latent ca.0.6 kW
connecting cable, included but not installed		2,5 m
the position of the connection piping can also be mirror-inverted		
Machine Equipment		
(A) Entry height		
Final rinse dosing unit with suction lance (blue connector)		
Detergent pipe and suction lance		
Booster pump		
Drain pump		
Roller base 35 mm		



MP000429651.1.6

© COPYRIGHT by MEIKO

	MEIKO Australia-Pacific Pty Ltd Unit 4, 72 - 74 Gibbes Street Chatswood NSW 2067 TEL. +61-1300 367 730, Telefax +61-1300 656 420 E-MAIL: info@meiko.com.au		Revision	
	This drawing may not be neither passed to third parties for their information or copied or used for competitive purposes without our consent. All rights reserved. We reserve the right to make changes resulting from technical progress. This drawing was computer generated and is not subject to the checking and any release process; it is also not subject to change management. Please note: This document is only valid in conjunction with the conditions defined in Supplementary Sheet "Important Information". These can be requested from the manufacturer or downloaded from the Partnernet.		Reference	Type
		DISHWASHER STANDARD DRAWING / AUS GLASSES / CROCKERY	UPSTER U 500	
		Drawing-No.	Order-No.	
		S00086156		
Scale	drawn:	checked:		
1:25	03.08.2020 m-iplan	03.08.2020 m-iplan		

AUS

EN

© COPYRIGHT by MEIKO