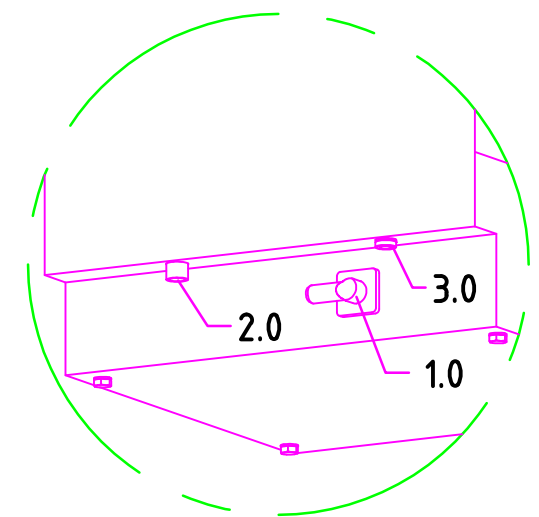
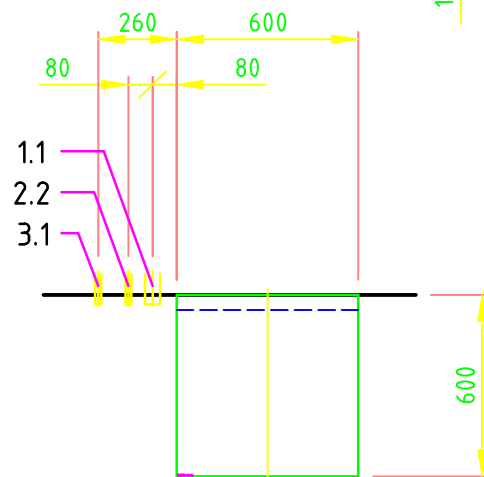
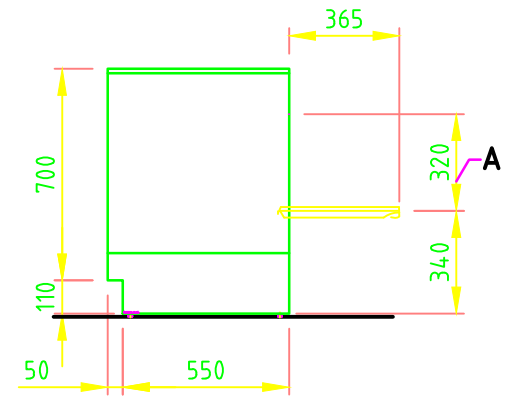
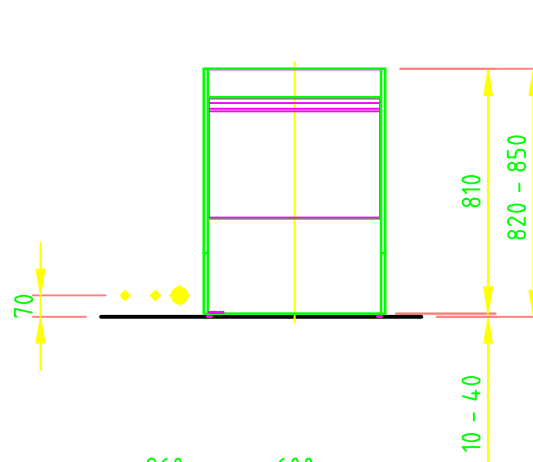



1.0	machine connection: Drain line hose fitted as odour trap in interior of machine	DN 22
1.1	drain (recommended height 70 mm, over 120 mm waste water pump required)	DN 50
2.0	machine connection: fresh water line	G 3/4"
2.2	soft cold water 10°C	DN 20
	max. 0,54 mmol/l CaCO <sub>3</sub> / 53,4 ppm/CaCO <sub>3</sub> (max.3°GH) approx. wafer flow rate 0,3 l/s min. flow pressure: 250 kPa / 2,5 bar upstream of the solenoid valve, maximum pressure: 500 kPa / 5 bar stopcock and fine screen ≤ 25 µm	G 3/4 a
3.0	machine connection: electricity connecting cable	5G 2,5mm <sup>2</sup>
3.1	electricity supply to the machine	3N PE 400V~ 50Hz
	nominal current / - capacity ⚡ Voltage equalising cable	12,8 A    5,2 kW Fuse protection: 16 A
Electrical equipment suitable for supply voltage: 3N PE 380-415 V 50 Hz / 1N PE 220-240 V 50 Hz		
heat load of the wash room		total    ca.1,6 kW
in case of 15 program cycles /h		perceptible    ca.1,0 kW
		latent    ca.0,6 kW
all cables, pipes etc leaving machine		1,6 m
the position of the connection piping can also be mirror-inverted		
Machine Equipment		
(A) Entry height		
Potential free terminals (changeable to 230V) for local dosingsystem		



 <p>MEIKO MIDDLE EAST FZE GoldDiamond Park, Building#6, office #206 P.O. Box 282365, U.A.E.-Dubai Phone +971 43 41 51 72 E-MAIL: wat@meiko.de</p> <p>This drawing may not be neither passed to third parties for their information or copied or used for competitive purposes without our consent. All rights reserved. We reserve the right to make changes resulting from technical progress. This drawing was computer generated and is not subject to the checking and any release process; it is also not subject to change management. <b>Please note:</b> This document is only valid in conjunction with the conditions defined in Supplementary Sheet "Important Information". These can be requested from the manufacturer or downloaded from the Partnernet.</p>	Revision				
	Reference	DISHWASHER STANDARD DRAWING / AFG		Type	UPSTER U 500
	Drawing-No.	S00089789		Order-No.	
	Scale	1:25	drawn:	14.08.2020 m-iplan	checked: